

NGT Bimetallic Disc Thermostats

Precision Meets Safety!

½" Thermal Cut outs and Snap Discs with VDE, UL, CSA approvals, available with many fixing solutions that offer the following benefits:



- High quality product
- Massive stock levels against standard catalogue items
- Small production volumes available for specials
- Strong technical support
- Short industry lead times

NGT Controls are a highly respected Japanese manufacturer of bimetal thermostats. Its products are widely used in household electrical goods and consumer related products such as water heaters and heating equipment. Its products also feature in commercial food storage such as vending machines, refrigerated display cases and commercial catering equipment. Other uses include automotive, medical and communication equipment applications.



Full range of bimetallic switches (thermal cut outs) covering many different temperatures, including normally open, normally closed and manual re-set types. Designed to protect electrical devices in the event of temperature rise or overheating, our range of bimetallic switches are suitable for a wide range of different applications such as:

- Showers
- Domestic Appliances
- Water Heaters
- Boilers
- CCTV Cameras
- Projectors
- Refrigerated Cases
- Coffee Making Machines
- Commercial Catering Equipment
- Automotive
- Office Equipment
- Vending Machines
- Fork Lift Trucks and Golf Buggies



hawco

For technical advice on your specific requirements,
contact our expert consultants on
+44 (0) 1483 869070 or export@hawco.co.uk

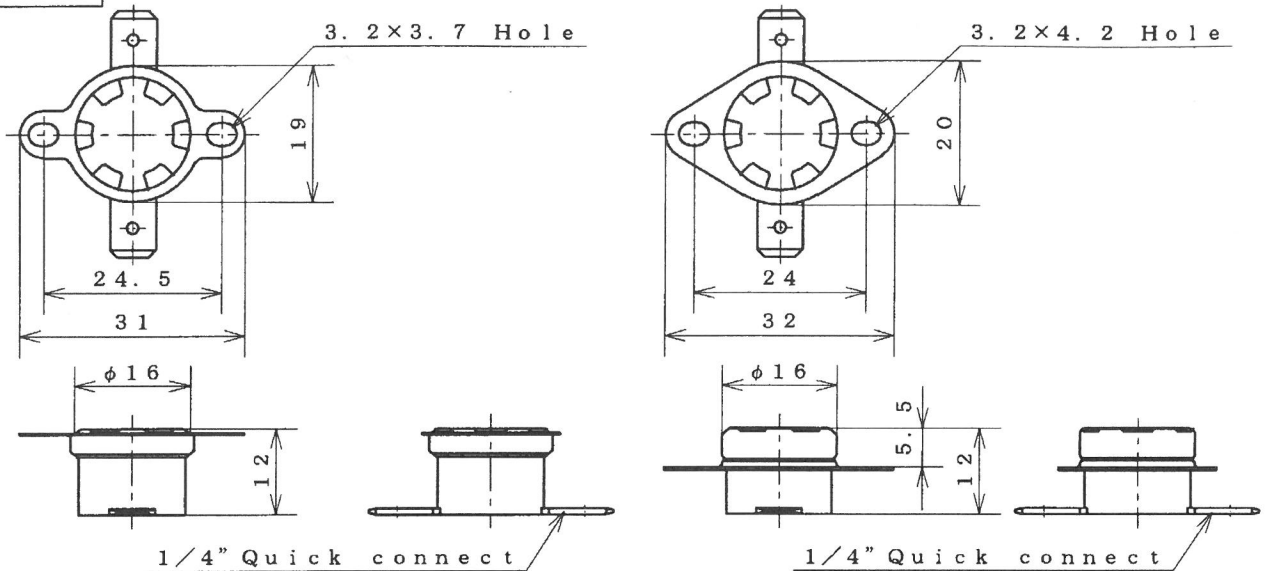


1/2" Disc Type Thermostat
Automatic Reset

Type 03EN

UL·CSA·VDE·BEAB
Recognized

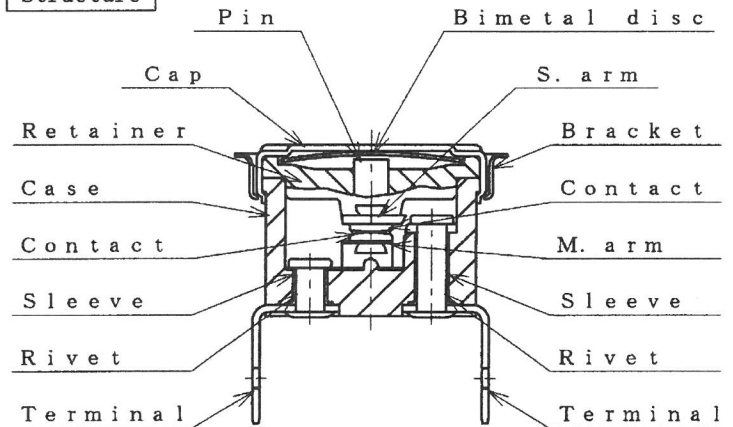
Dimensions



Materials of parts

Part	Material
Cap	Aluminum Copper Stainless steel
Case	Phenolic resin
M. arm	Beryllium Copper alloy
Terminals	Brass
Bracket	Stainless steel
Contacts	Silver-Nickel alloy

Structure



Specifications

Item	Specification
1. Basic features	SPST Automatic reset
2. Operation	A: Contacts open on temperature rise B: Contacts close on temperature rise
3. Electrical rating	UL: AC120V/15A AC240V/10A CSA: AC125V/15A AC250V/8A VDE, BEAB: AC250V/16A
4. Calibration method	Hot & cold air circulation system
5. Temperature rating	Operating temperature Max. 150°C
6. Insulation resistance	Not less than 1000MΩ/DC500V
7. Dielectric strength	Not less than AC1500V/1min. or AC1800V/1sec.

Standard

UL 873	UL File	No. E43273
CSA C22.2 No. 24	CSA Report	No. LR67165 LR67166
DIN EN 60730-1,-2-9	VDE Licence	No. 100896
BS EN 60730-1,-2-9	BEAB Certificate	No. C0901